

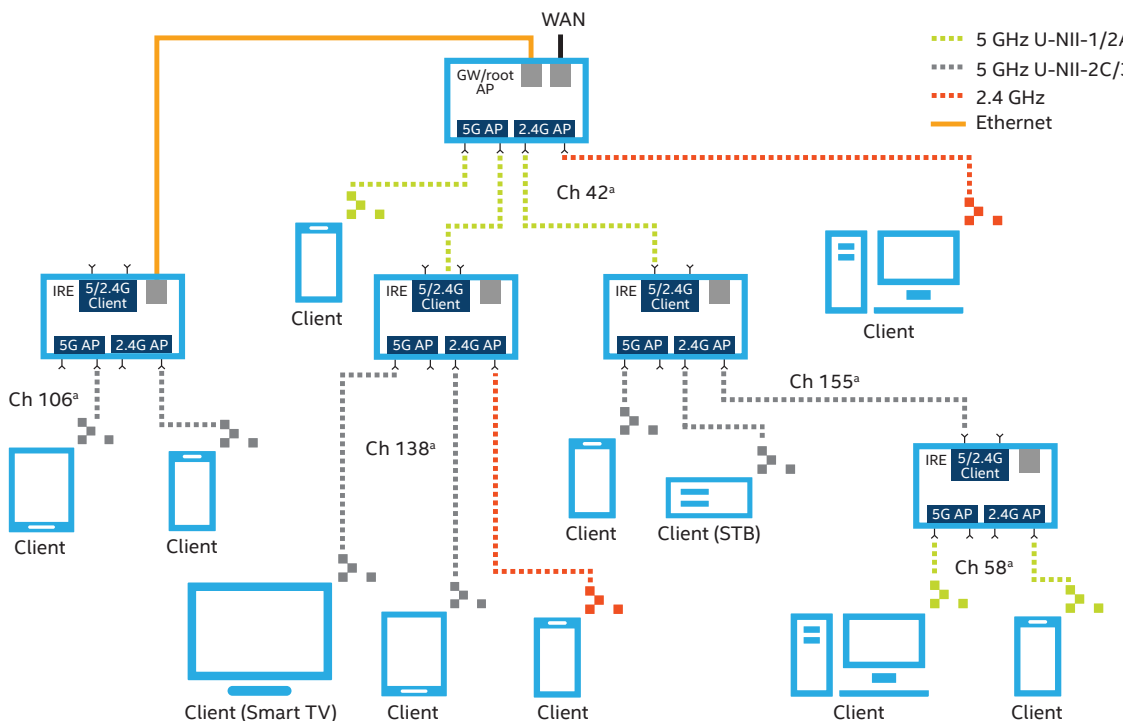
Intel® Home Wi-Fi Development Kit

Jump-start development of an intelligent, context-aware home network infrastructure

The Intel® Home Wi-Fi Development Kit offers a starting point to accelerate development of an intelligent network of gateways and range extenders, and evaluate designs. Intelligent range extenders can be used to provide consistent throughput and enhance Wi-Fi connectivity throughout the home. The development kit is based on the Intel® Home Wi-Fi SoC IRX200 and Intel® Home Wi-Fi Chipset WAV500 Series to offer a high level of performance for 4x4 backhaul designs. The Wi-Fi operates in Tri-Band concurrent (TBC) with two radios dedicated to service and one dedicated to backhaul to offer a high level of performance for designs that support 4x4 backhaul.

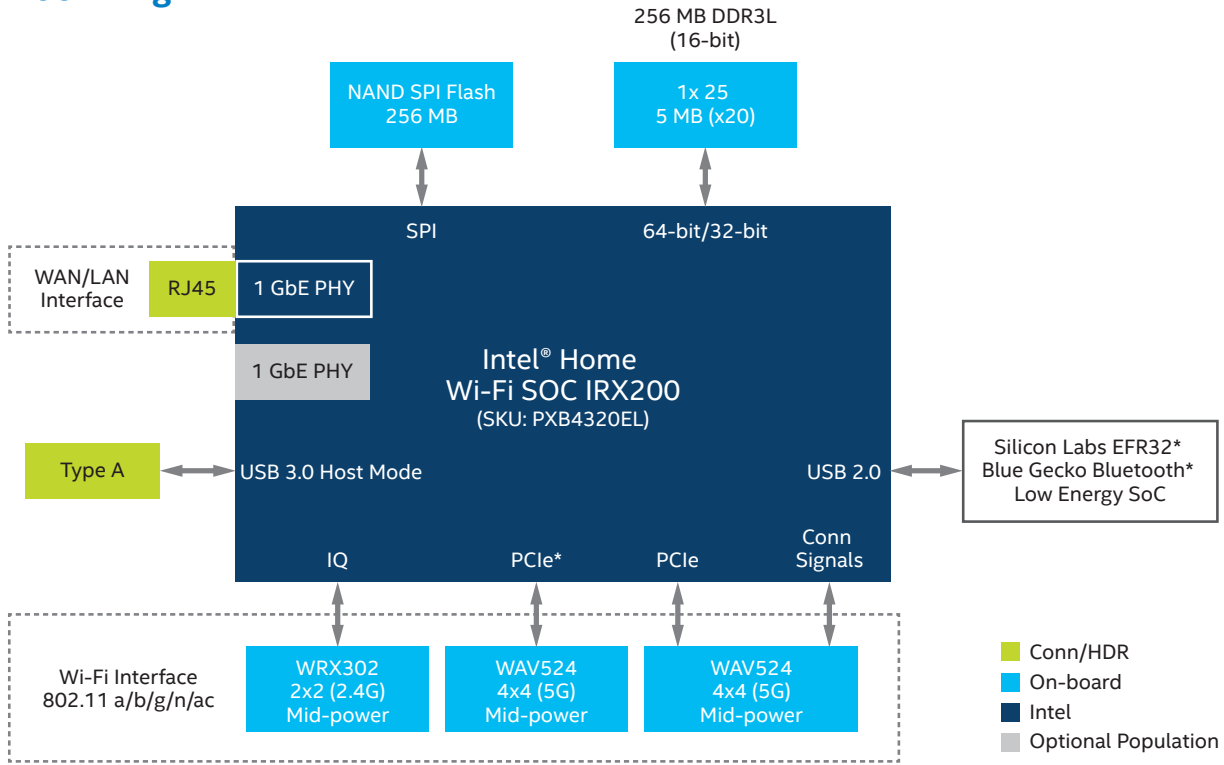
Solutions based on the Intel Home Wi-Fi Development Kit are designed for use with gateways based on Intel® AnyWAN™ SoCs and Intel® Puma™ 6 and 7 Families to provide an advanced networking experience at home.

Network Topology



^aChannel assignments illustrate one specific example, not fixed settings.

Block Diagram



Intel® Home Wi-Fi Development Kit Features

Wi-Fi Range	<ul style="list-style-type: none"> • 1700 square feet: one gateway based on Intel® AnyWAN™ SoC GRX350 and one Intel® technology-based range extender • 2700 square feet: one gateway based on Intel AnyWAN SoC GRX350 and two Intel technology-based range extenders
Tool Package	<ul style="list-style-type: none"> • Reference board • Reference casing • Cables and power supply • Schematics and layout, BOM • Ready-to-use software image • Calibration tool (under Linux*) • Intel's Universal Gateway Software Development Kit
Features	<ul style="list-style-type: none"> • Gigabit Ethernet port that automatically detects WAN/LAN • USB 3.0 port • Wi-Fi radios <ul style="list-style-type: none"> – WRX303 (2.4 GHz, 2x2 11n) – Intel® Home Wi-Fi Chipset WAV524 (5 GHz, 4x4 802.11ac) • Bluetooth* Low Energy (BLE) <ul style="list-style-type: none"> - Silicon Labs EFR32* Blue Gecko BLE SoC

For more information on Intel® products for the connected home, visit intel.com/connectedhome.



Intel technologies' features and benefits depend on system configuration and may require enabled hardware, software or service activation. Performance varies depending on system configuration. No computer system can be absolutely secure. Check with your system manufacturer or retailer or learn more at intel.com. All information provided here is subject to change without notice. Contact your Intel representative to obtain the latest Intel product specifications and roadmaps. Tests document performance of components on a particular test, in specific systems. Differences in hardware, software, or configuration will affect actual performance. Consult other sources of information to evaluate performance as you consider your purchase. For more complete information about performance and benchmark results, visit www.intel.com/benchmarks